



2μm acousto-optic Q switch series :

2μm acousto-optic Q switch series

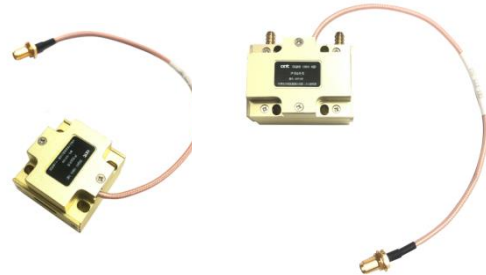
product name:

Sound and light Q switch

product description:

This series of acousto-optic Q switches utilizes the principle of acousto-optic interaction

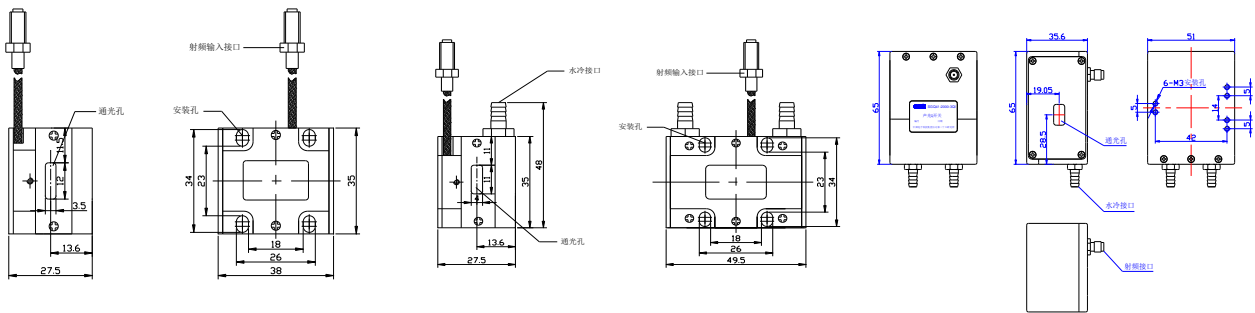
Realize 2μm laser intracavity Q-switching.



Main Specifications:

parameter	unit	OC Q41-2000-1QC	OC Q41-2000-2QB	OC Q27-2000-3QI
Working wavelength	nm	1900-2100		
Input light polarization state	-	Linear Polarization (⊥)		
working frequency	MHz	40.68		27
light aperture	mm	1.2	2	3
Diffraction efficiency	%	≥65	≥80	≥70
damage threshold	W/ cm ²	1G		
Static transmittance	%	>99.2		
Driving power	W	20	40	50
RF connector	-	20cm cable + SMA female head		SMA female
input resistance	Ω	50		
VSWR	-	<1.3:1		
cooling method	-	conduction cooling	water cooling	
Package form	nm	QC	QB	QI

Package Specifications:





QC

上海奥普特科晶体材料有限公司
Shanghai Opticrytal Materials Co., Ltd

QB

QI