



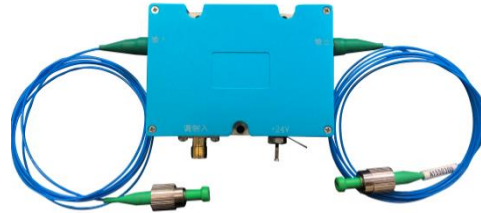
上海奥普特科晶体材料有限公司 Shanghai Optic Crystal Materials Co., Ltd

integrated polarization-maintaining optical fiber acousto-optic modulator :

integrated polarization-maintaining optical fiber acousto-optic modulator

product name:

Integrated polarization-maintaining fiber optic acousto-optic modulator



product description:

The acousto-optic modulator uses the principle of acousto-optic interaction to control the laser

A class of products that perform intensity modulation and frequency shifting.

Main Specifications:

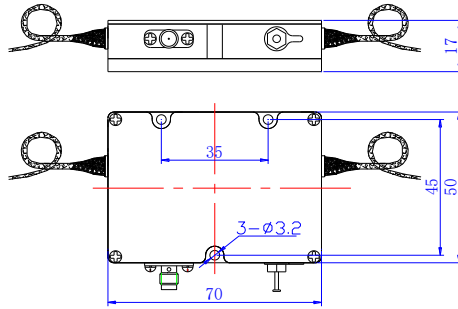
parameter	unit	OC TF80-1550-1TP-2A1	OC TF120-1550-1TP-2D	OC TF200-1550-1TP-2D
Modulation Input Interface Specifications				
Modulation	-	Analog (0-1V@50Ω)	Digital modulation (high level 3.3-5V; low level 0-0.2V@1kΩ)	
interface	-	SMA		
Machine Specifications				
Working wavelength	nm	1530-1570		
working frequency	MHz	80	120	200
3dB frequency shift bandwidth	MHz	>10	>10	>40
Insertion loss	dB	<2.5	<2.5	<4.5
Rise Time	ns	<50	<50	<12
fiber type	-	PM1550		
Extinction Ratio	dB	≥50		
polarization extinction ratio	dB	≥20		
Withstand optical power	W	≤0.5		
Pigtail length	m	≥1		
Fiber optic connector	-	FC/APC		
Typical power	W	3@duty cycle 1%		4@duty cycle 1%



上海奥普特科晶体材料有限公司
Shanghai Opticrystal Materials Co., Ltd

consumption			
Operating Voltage	Vdc	12±0.5	
Maximum current	A	0.8	
power interface	-	Feedthrough capacitor (core wire connected to positive, solder piece connected to negative)	

Package Specifications:



FC